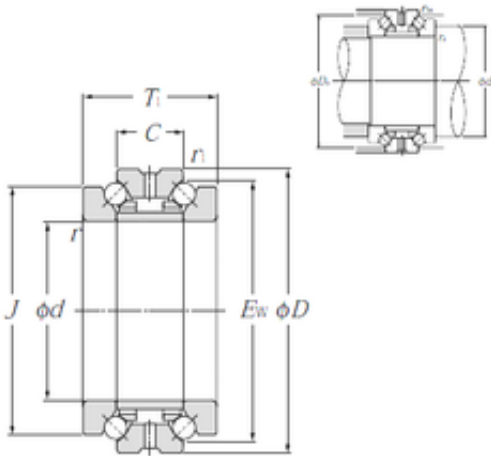




ISO BEARING-SINGAPORE (PTE)LTD.

NTN 562921 thrust ball bearings

Bearing No. 562921



562921 Bearing 2D drawings and 3D CAD models

Bore Diameter	105 mm
Outer Diameter	134 mm
d	105 mm
D	145 mm
Ew	134 mm
T1	48 mm
C	24 mm
ra1 max.	0,6 mm
r min.	1,1 mm
r1 min.	0,6 mm
J	131 mm
da min.	119 mm
Da max.	139,5 mm
ra max.	1 mm
Weight	2,12 Kg
Basic dynamic load rating (C)	53,5 kN
Basic static load rating (C0)	188 kN
(Grease) Lubrication Speed	2 700 r/min