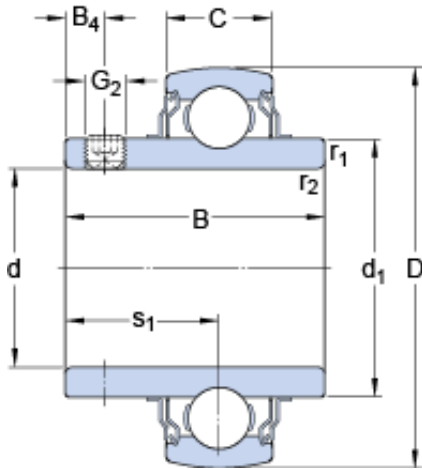




## ISO BEARING-SINGAPORE (PTE)LTD.



25.4 mm x 52 mm x 34.1 mm SKF YAR  
205-100-2FW/VA201 deep groove ball bearings

Bearing No. YAR 205-100-2FW/VA201

YAR 205-100-2FW/VA201 Bearing 2D drawings and 3D  
CAD models

Size	52x25.4x34.1 mm
Bore Diameter	52 mm
Outer Diameter	25,4 mm
Width	34,1 mm
d	25.4 mm
D	52 mm
B	34.1 mm
C	15 mm
d <sub>1</sub>	33.74 mm
B <sub>4</sub>	5 mm
s <sub>1</sub>	19.8 mm
r <sub>1,2</sub> - min.	0.6 mm
Basic dynamic load rating - C	14 kN
Basic static load rating - C <sub>0</sub>	7.8 kN
Limiting speed	110 r/min
Limiting temperature - T	250 ° C
Mass bearing	0.19 kg
Grub (set) screw - G <sub>2</sub> - 1/4-28 UNF	1/428 UNF
Hexagonal key size for grub screw - H	3.175 mm
Category	Bearings
Inventory	0.0
Manufacturer Name	SKF
Minimum Buy Quantity	N/A



## ISO BEARING-SINGAPORE (PTE)LTD.

Weight / Kilogram	0
Product Group	M06110
$d_1$	33.74 mm
$B_4$	5 mm
$s_1$	19.8 mm
$r_{1,2}$ min.	0.6 mm
Basic dynamic load rating C	14 kN
Basic static load rating $C_0$	7.8 kN
Limiting temperature T max.	250 ° C
Grub (set) screw $G_2$	1/4-28 UNF
Hexagonal key size for grub screw N	3.175 mm
Recommended tightening torque for grub screw	4 N · m