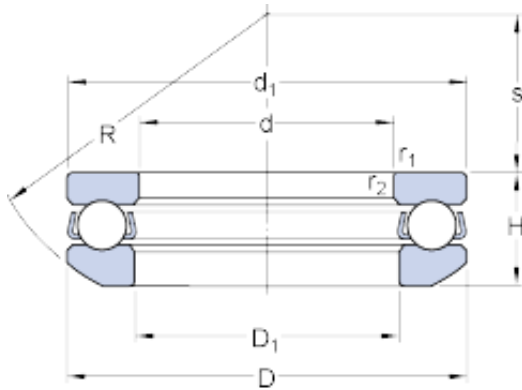




ISO BEARING-SINGAPORE (PTE)LTD.



SKF 53218 + U 218 thrust ball bearings

Bearing No. 53218 + U 218

Size	135x90x38.5 mm
Bore Diameter	135 mm
Outer Diameter	90 mm
Width	38,5 mm
d	90 mm
D	135 mm
H	38.5 mm
H ₁	42 mm
d ₁	135 mm
D ₁	93 mm
D ₂	110 mm
D ₃	140 mm
C	13.5 mm
R	100 mm
s	45 mm
r _{1,2} - min.	1.1 mm
d _a - min.	117 mm
D _a - max.	110 mm
r _a - max.	1 mm
Basic dynamic load rating - C	112 kN
Basic static load rating - C ₀	290 kN
Fatigue load limit - P _u	10.4 kN
Reference speed	1900 r/min
Limiting speed	2600 r/min

53218 + U 218 Bearing 2D drawings and 3D CAD models



ISO BEARING-SINGAPORE (PTE)LTD.

Minimum load factor - A	0.55
H ₁	42 mm
d ₁	135 mm
D ₁	93 mm
D ₂	110 mm
D ₃	140 mm
r _{1,2} min.	1.1 mm
d _a min.	117 mm
D _a max.	110 mm
r _a max.	1 mm
Basic dynamic load rating C	112 kN
Basic static load rating C ₀	290 kN
Fatigue load limit P _u	10.4 kN
Minimum load factor A	0.55
Mass bearing (including seat washer where applicable)	2.1 kg