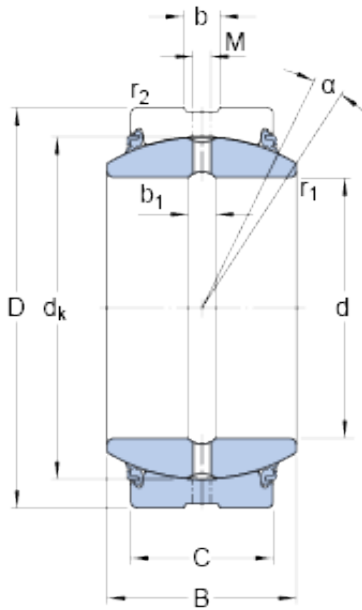




ISO BEARING-SINGAPORE (PTE)LTD.

100 mm x 150 mm x 70 mm SKF GE 100 ES-2LS
plain bearings

Bearing No. GE 100 ES-2LS



GE 100 ES-2LS Bearing 2D drawings and 3D CAD models

Size	150x100x70 mm
Bore Diameter	150 mm
Outer Diameter	100 mm
Width	70 mm
d	100 mm
D	150 mm
B	70 mm
C	55 mm
	6 °
dk	130 mm
b	11.3 mm
b ₁	11.3 mm
M	5 mm
r ₁ - min.	1 mm
r ₂ - min.	1 mm
d _a - min.	107.8 mm
d _a - max.	109.5 mm
D _a - min.	131 mm
D _a - max.	143.2 mm
r _a - max.	1 mm
r _b - max.	1 mm
Basic dynamic load rating - C	610 kN
Basic static load rating - C ₀	3050 kN
Specific factor dinamic load - K	100 N/mm ²



ISO BEARING-SINGAPORE (PTE)LTD.

Specific factor static load - K_0	500 N/mm ²
Constant - K_M	330
Lubricant	Regular relubrication – grease
Design (sliding contact surface combination)	Steel/steel
Sealing solution	Triple-lip seals
	6 °
d_k	130 mm
b_1	11.3 mm
r_1 min.	1 mm
r_2 min.	1 mm
d_a min.	107.8 mm
d_a max.	109.5 mm
D_a min.	131 mm
D_a max.	143.2 mm
r_a max.	1 mm
r_b max.	1 mm
Basic dynamic load rating C	610 kN
Basic static load rating C_0	3050 kN
Specific dynamic load factor K	100 N/mm ²
Specific static load factor K_0	500 N/mm ²
Material constant K_M	330
Mass plain bearing	4.4 kg