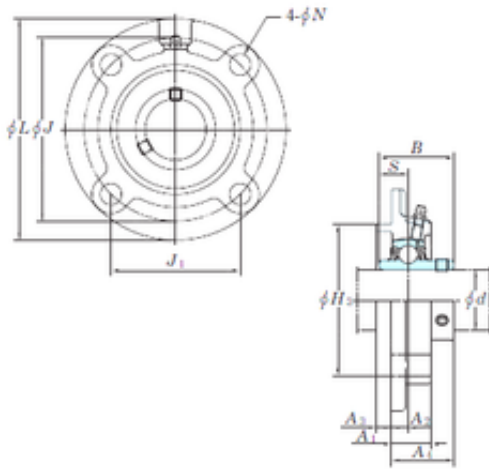




ISO BEARING-SINGAPORE (PTE)LTD.

KOYO UCFCX13E bearing units



Bearing No. UCFCX13E

Bore Diameter	65 mm
d	65 mm
H3	139,7 mm
A4	55,4 mm
A1	33 mm
B	74,6 mm
J	165 mm
L	194 mm
N	16 mm
S	30,2 mm
Bolt (G)	M14
A2	11 mm
A3	20 mm
J1	116,7 mm
Weight	5,7 Kg
Basic dynamic load rating (C)	62,2 kN
Basic static load rating (C0)	44,1 kN

UCFCX13E Bearing 2D drawings and 3D CAD models