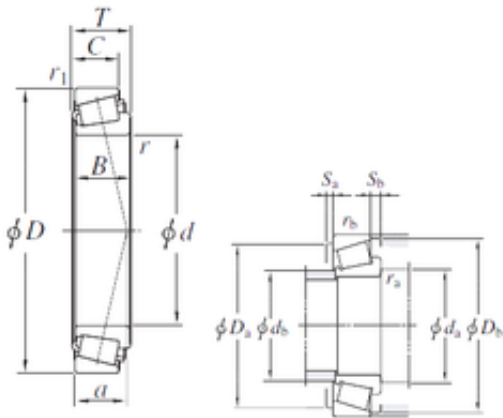




ISO BEARING-SINGAPORE (PTE)LTD.

110 mm x 240 mm x 50 mm KOYO 30322JR tapered roller bearings

Bearing No. 30322JR



30322JR Bearing 2D drawings and 3D CAD models

Size	110x240x54.5 mm
Bore Diameter	110 mm
Outer Diameter	240 mm
Width	54,5 mm
d	110 mm
D	240 mm
T	54,5 mm
B	50 mm
C	42 mm
a	46,3 mm
r min.	4 mm
r1 min.	3 mm
r2 min.	3 mm
da min.	128 mm
da max	141 mm
Da min	206 mm
Da max.	226 mm
db max.	141 mm
Db min.	222 mm
ra max.	3 mm
rb max.	2,5 mm
Db	222 mm
Weight	11,4 Kg
Basic dynamic load rating (C)	481 kN
Basic static load rating (C0)	590 kN



ISO BEARING-SINGAPORE (PTE)LTD.

(Grease) Lubrication Speed	1600 r/min
(Oil) Lubrication Speed	2100 r/min
Calculation factor (e)	0,35
Calculation factor (Y0)	0,96
Bearing No.	30322JR
r(min)	4
r1(min)	3
Cr	601
C0r	590
Cu	75.2
Grease lub.	1600
Oil lub.	2100
a	46.3 mm
da(min)	128
db(max)	141
Da(max)	226
Da(min)	206
Db(min)	222
Sa(min)	8
Sb(min)	12.5
ra(max)	3
rb(max)	2.5
e	0.35
Y1	1.74
Y0	0.96
(Refer.)Mass(kg)	11.4