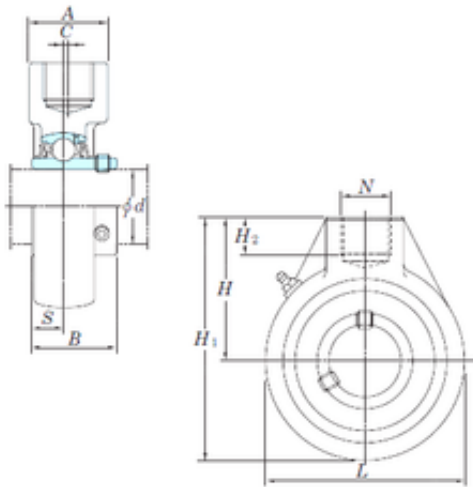




# ISO BEARING-SINGAPORE (PTE)LTD.

## KOYO UCHA204 bearing units

Bearing No. UCHA204



UCHA204 Bearing 2D drawings and 3D CAD models

Bore Diameter	20 mm
Width	31 mm
d	20 mm
A	40 mm
B	31 mm
H	64 mm
H1	96 mm
H2	19 mm
L	64 mm
S	12,7 mm
Bolt (G)	PF 3/4
Weight	0,72 Kg
Basic dynamic load rating (C)	12,8 kN
Basic static load rating (C0)	6,65 kN