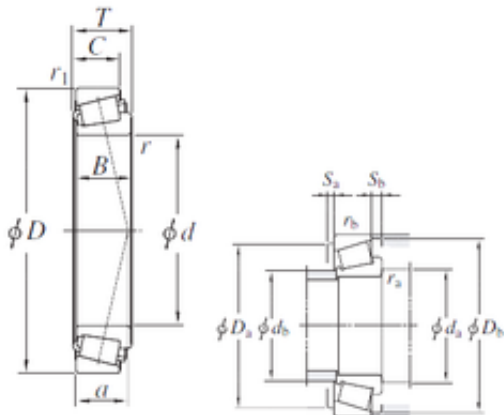




## ISO BEARING-SINGAPORE (PTE)LTD.

104,775 mm x 190,5 mm x 49,212 mm KOYO  
71412/71750 tapered roller bearings



Bearing No. 71412/71750

Size	104.775x190.5x47.625 mm
Bore Diameter	104,775 mm
Outer Diameter	190,5 mm
Width	47,625 mm
d	104,775 mm
D	190,5 mm
T	47,625 mm
B	49,212 mm
C	34,925 mm
a	40,9 mm
r min.	3,6 mm
r1 min.	3,2 mm
r2 min.	3,2 mm
da min.	117 mm
Da min	167 mm
Da max.	179 mm
Da	171 mm
db max.	131 mm
db min	118 mm
ra max.	3,6 mm
rb max.	3,2 mm
Db	177 mm
Weight	5,68 Kg
Basic dynamic load rating (C)	303 kN
Basic static load rating (C0)	483 kN

71412/71750 Bearing 2D drawings and 3D CAD models



## ISO BEARING-SINGAPORE (PTE)LTD.

(Grease) Lubrication Speed	1900 r/min
(Oil) Lubrication Speed	2600 r/min
Calculation factor (e)	0,42
Calculation factor (Y0)	0,79