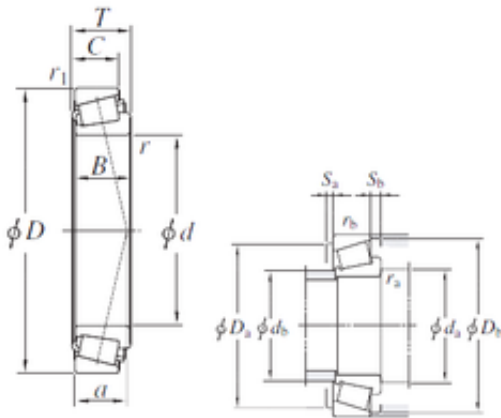




# ISO BEARING-SINGAPORE (PTE)LTD.

190 mm x 340 mm x 92 mm KOYO 32238JR tapered roller bearings

Bearing No. 32238JR



32238JR Bearing 2D drawings and 3D CAD models

Size	190x340x97 mm
Bore Diameter	190 mm
Outer Diameter	340 mm
Width	97 mm
d	190 mm
D	340 mm
T	97 mm
B	92 mm
C	75 mm
a	81,9 mm
r min.	5 mm
r1 min.	4 mm
r2 min.	4 mm
da min.	212 mm
da max	216 mm
Da min	286 mm
Da max.	322 mm
db max.	216 mm
Db min.	323 mm
ra max.	4 mm
rb max.	3 mm
Db	323 mm
Weight	36,6 Kg
Basic dynamic load rating (C)	1090 kN
Basic static load rating (C0)	1740 kN



## ISO BEARING-SINGAPORE (PTE)LTD.

(Grease) Lubrication Speed	1000 r/min
(Oil) Lubrication Speed	1300 r/min
Calculation factor (e)	0,44
Calculation factor (Y0)	0,76
Bearing No.	32238JR
r(min)	5
r1(min)	4
Cr	1370
C0r	1740
Cu	187
Grease lub.	1000
Oil lub.	1300
a	81.9 mm
da(min)	212
db(max)	216
Da(max)	322
Da(min)	286
Db(min)	323
Sa(min)	12
Sb(min)	22
ra(max)	4
rb(max)	3
e	0.44
Y1	1.38
Y0	0.76
(Refer.)Mass(kg)	36.6